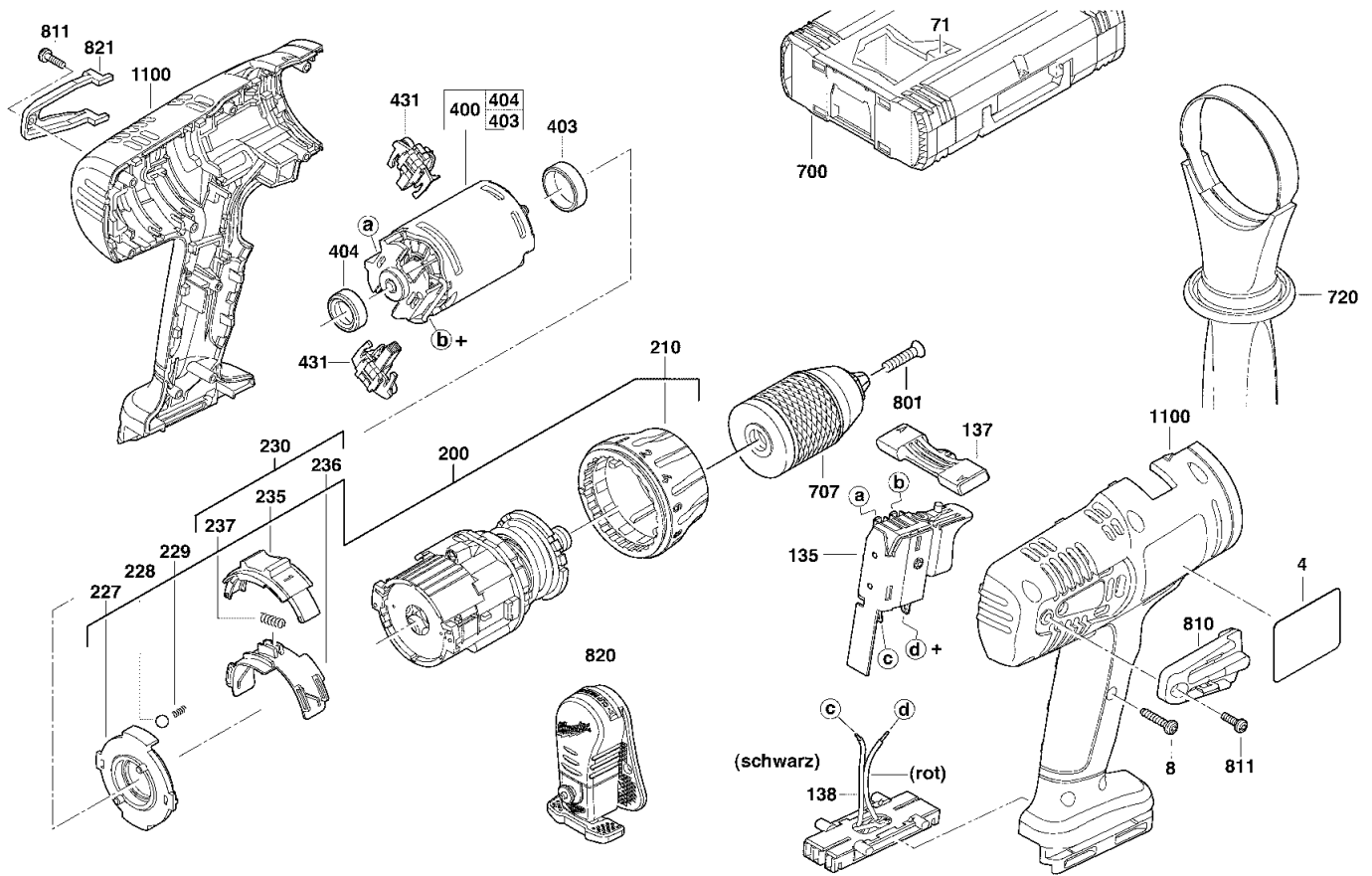


A & M Electric Tools

| Ind | Product No. | Type | Voltage | Country |
|-----|-------------|-------|---------|---------|
| a | 4000401353 | V18DD | 18V | *** |
| b | 4000404482 | V18DD | 18V | *** |

Battery Tools

| Ind | Product No. | Type | Voltage | Country |
|------------------|-------------|----------|---------|---------|
| Milwaukee | | | | |
| V 18 DD | | | | |
| Exp.view No. | Version | Date | Page | |
| 4926 4013 55 | 0005 | 17.01.08 | 1/1 | |



| Pos | Index | Quanti | Article No. | Designation |
|------|---------|--------|-------------|--------------------|
| 0004 | a..... | 1 | 4931401357 | RATING PLATE |
| 0004 | .b..... | 1 | 4931404484 | RATING PLATE |
| 0008 | ab..... | 9 | 4931622708 | SCREW |
| 0071 | ab..... | 1 | 4931401358 | INSERT |
| 0135 | ab..... | 1 | 4931400348 | SWITCH BOARD |
| 0137 | ab..... | 1 | 4931389820 | SLIDING SWITCH |
| 0138 | ab..... | 1 | 4931389837 | WIRE |
| 0200 | ab..... | 1 | 4931389843 | GEAR BOX |
| 0210 | ab..... | 1 | 4931389627 | JUMPER RING |
| 0227 | ab..... | 1 | 4931389825 | BEARING END PLATE |
| 0228 | ab..... | 1 | 4931805413 | BALL |
| 0229 | ab..... | 1 | 4931388194 | PRESSURE SPRING |
| 0230 | ab..... | 1 | 4931389821 | LEVER |
| 0235 | ab..... | 1 | 4931389822 | SLIDING SWITCH |
| 0236 | ab..... | 1 | 4931389823 | CRANK |
| 0237 | ab..... | 1 | 4931389824 | PRESSURE SPRING |
| 0400 | ab..... | 1 | 4931395167 | MOTOR |
| 0403 | ab..... | 1 | 4931363798 | RUBBER SLEEVE |
| 0404 | ab..... | 1 | 4931332388 | RUBBER SLEEVE |
| 0431 | ab..... | 1 | 4931395047 | BRUSH HOLDER |
| 0700 | ab..... | 1 | 4932378986 | CARRYING CASE |
| 0707 | ab..... | 1 | 4932371913 | QUICK ACTION CHUCK |

| Pos | Index | Quanti | Article No. | Designation |
|------|---------|--------|-------------|---------------|
| 0720 | ab..... | 1 | 4932376128 | HANDLE |
| 0801 | ab..... | 1 | 4931401643 | LOCKING SCREW |
| 0810 | ab..... | 1 | 43720455 | BIT HOLDER |
| 0811 | ab..... | 2 | 4931390671 | SCREW |
| 0820 | ab..... | 1 | 42705005 | HOLDER |
| 0821 | ab..... | 1 | 43720300 | HOLDER |
| 1100 | ab..... | 1 | 4931389840 | HOUSING |

Repairs/modification and testing of electric power tools are to be carried out by specialists. The safety regulations according to DIN/VDE/CEE/AFNOR and other regulations valid in the different countries are to be observed.